

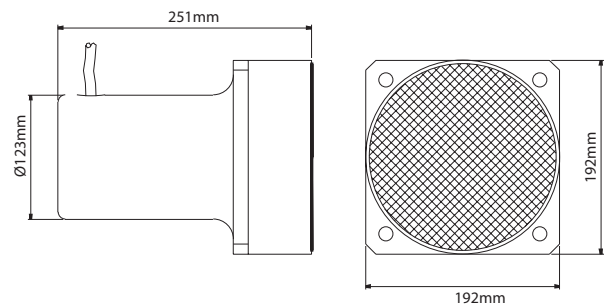


### sub-bottom profiler

This transducer is compatible with most profiling systems for the location of buried objects such as pipeline, archaeological sites, identification of sedimentary layers, etc.

Its solid construction makes it far more durable than the traditional "rubber boot" devices.

High efficiency and full array impedance matching make it a highly desirable surveyor's tool.



### typical specifications

### PE1/4T

frequency (kHz)	3.7
source level (dB re. 1uPa/V at 1m)	147
bandwidth (kHz)	4
receive sensitivity (dB re. 1V/uPa)	-175
beamwidth(°)	140
max. input power (pulsed) (W)	2.5k
depth rating (m)	1000
in-water impedance (Ohm)	3k
with transformer (Ohm)	200
dry weight (kg)	10.4
cable length (m)	1
connector	BH2 micro
comments	IL2FS micro mating lead
storage temperature (°C)	-20 to +55
operating temperature (°C)	-5 to +33

Other versions can be manufactured to suit individual requirements.