

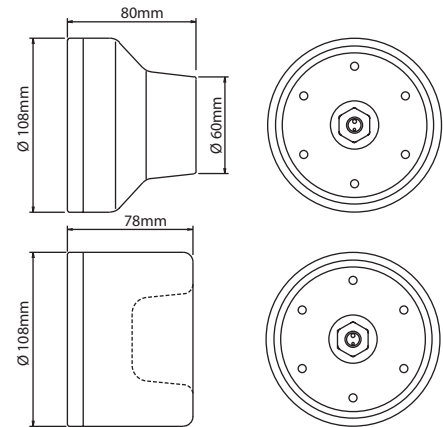


deep water CT/13 (left), standard CT/21 (centre) and standard CT/13 (right)

projector hydrophones

A versatile transducer for use in data communication and transponder beacons giving highly efficient, long range broad transmission.

Mounted on a nylon base and moulded in polyurethane, the transducer is extremely robust and corrosion-free.



CT/21 (above) and CT/13 with deep water modification (below)

typical specifications

	CT/13	CT/21
frequency (kHz)	13	21
source level (dB re. 1uPa/V at 1m)	137	140
bandwidth (kHz)	4	7
receive sensitivity (dB re. 1V/uPa)	-180	-185
horizontal beamwidth(°)	360	360
vertical beamwidth(°)	180	180
depth rating (m)	1500	1500
in-water impedance (Ohm)	2800	3000
capacitance at 1kHz (pF)	10500	10500
dry weight (kg)	1.2	0.6
cable length (m)	0.5	0.5
connector	LK02-2BPX-30 micro	LK02-2BPX-30 micro

Other versions can be manufactured to suit individual requirements.