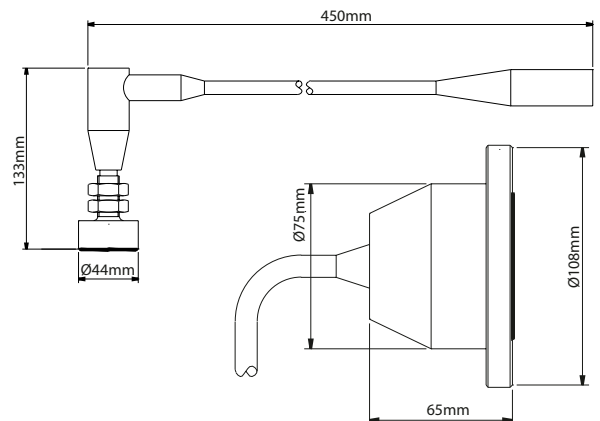


from left to right: D/210, PE1/27 and B4/150

pingers

This range of acoustic beacons is designed for use with most echo sounder equipment for surveying, fishing, navigation, etc. Manufactured in nylon and sealed with polyurethane, these rugged devices are suitable for hull mount or use with an over-the-side rig.



B4/140 (top) and D/210 (bottom)

typical specifications	PE1/27	PE1/33	PE1/50	PE1/40LQ	D/210	B4/150
frequency (kHz)	27	33	50	42	210	150
source level (dB re. 1uPa/V at 1m)	148	147	149	145	170	165
bandwidth (kHz)	3	3	3	30	7	10
receive sensitivity (dB re. 1V/uPa)	-185	-185	-185	-185	-190	-192
beamwidth(°)				37		
conical beam at -3dB(°)	80	55	36		8	24
max input power (W)					600	200
max. input power (pulsed) (W)	750	750	750	750		
max. input power (CW) (W)	300	300	300	300		
depth rating (m)	750	750	750	1000	1000	1000
in-water impedance (Ohm)	1200	1200	700	750	250	300
dry weight (kg)	2	2	2	0.45	2	0.1
cable length (m)	10	10	10	10	10	0.3
connector						VMG4FS
comments	cables all left unterminated can be terminated with any customer requirement connector					
storage temperature (°C)	all pingers have a storage temperature of -20 to +55					
operating temperature (°C)	all pingers have an operating temperature of -5 to +33					

Other versions can be manufactured to suit individual requirements.