



standard down only netsounder

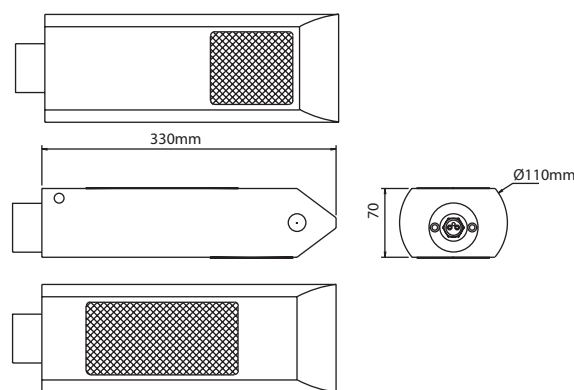
netsounder

Intended for the fishing industry, this transducer is designed for attachment to the net.

It is supplied in 2 versions as standard: *down only* and *up/down*.

In the *down* mode, it can be used to monitor the height from the top of the net to the seabed and will show the fish passing beneath into the net.

The *up* mode will ping to the surface to measure depth. The unit is impedance matched for use with a range of commercial sounders.



up/down version of netsounder

typical specifications

	NS/28	NS/50
frequency (kHz)	28	50
source level (dB re. 1uPa/V at 1m)	148	149
bandwidth (kHz)	3	1.5
conical beam at -3dB(°)	64	36
max. input power (pulsed) (W)	750	750
max. input power (CW) (W)	300	300
depth rating (m)	1000	1000
in-water impedance with transformer (Ohm)	50	50
dry weight (kg)	2.3	3
cable length (m)	1	1
connector	BH2M micro	BH2M micro
comments	IL2FS micro mating lead	IL2FS micro mating lead
storage temperature (°C)	-20 to +55	-20 to +55
operating temperature (°C)	-5 to +33	-5 to +33

Other versions can be manufactured to suit individual requirements.